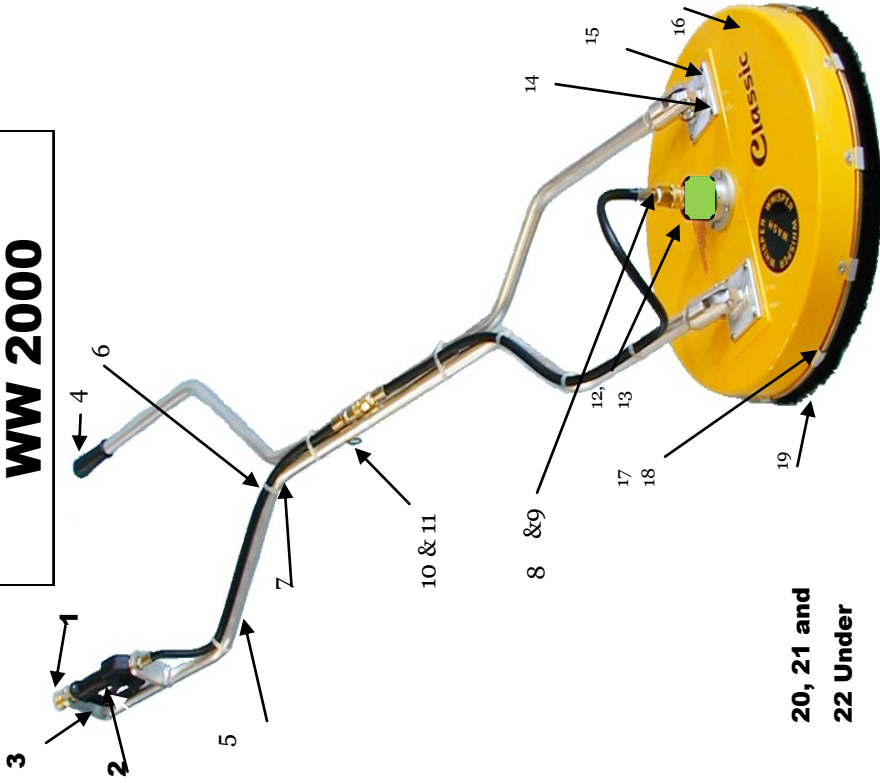


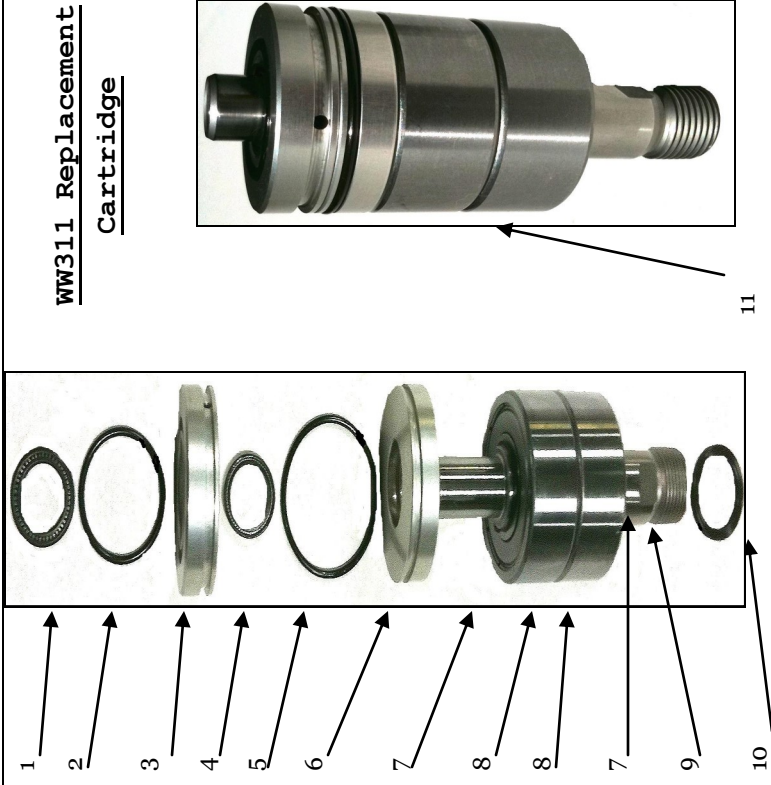
# Classic Parts List

## WW 2000

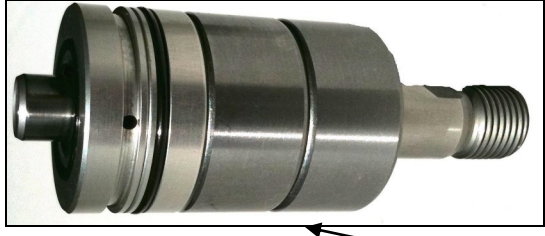


20, 21 and  
22 Under

# Series 3 Swivel Assembly



## WW311 Replacement Cartridge



1	WW104	Male Socket	1			
2	WW107S	Trigger Gun	1	14	WW122	Handle Base
3	WW100	Fastener	2	15	WW123	Screws/Nyloc
4	WW109	Grip	1	16	WW124	Cover
5	WW110	Handle	1	17	WW125	Rivets
6	WW111	Tie Wrap	7	18	WW126	Clips
7	WW151	Hose	1	19	WW127	Brush
8	WW118	Female Plug	1	20	WW300-2	2-Tip Spray Bar
9	WW104	Male Socket	1	21	WW301	Spray Tips-2502
10	WW114	Ring	3	22	WW400	Reducer-Swivel to Bar
11	WW113	Clevis Pin-large	3	OPT	WW300-4	4 Tip Spry Bar-2502s
12	WW312	Swivel Ser. 3	1			
13	WW311	Cartridge (inside)	1			

1.	WW131	Main Seal	1	6.	UC232L	Lower Gland Plate	1
2.	WW130	Static O-Ring	1	7.	WW137	Snap Ring	2
3.	UC232	Upper Gland Plate	1	8.	WW138	Bearing	2
4.	WW133	Secondary Seal	1	9.	WW136	Rotor Shaft	1
5.	WW134	Static O-Ring	1	10.	WW142	Quad Seal	1
				11.	WW311	Instant Quick Change Cartridge	